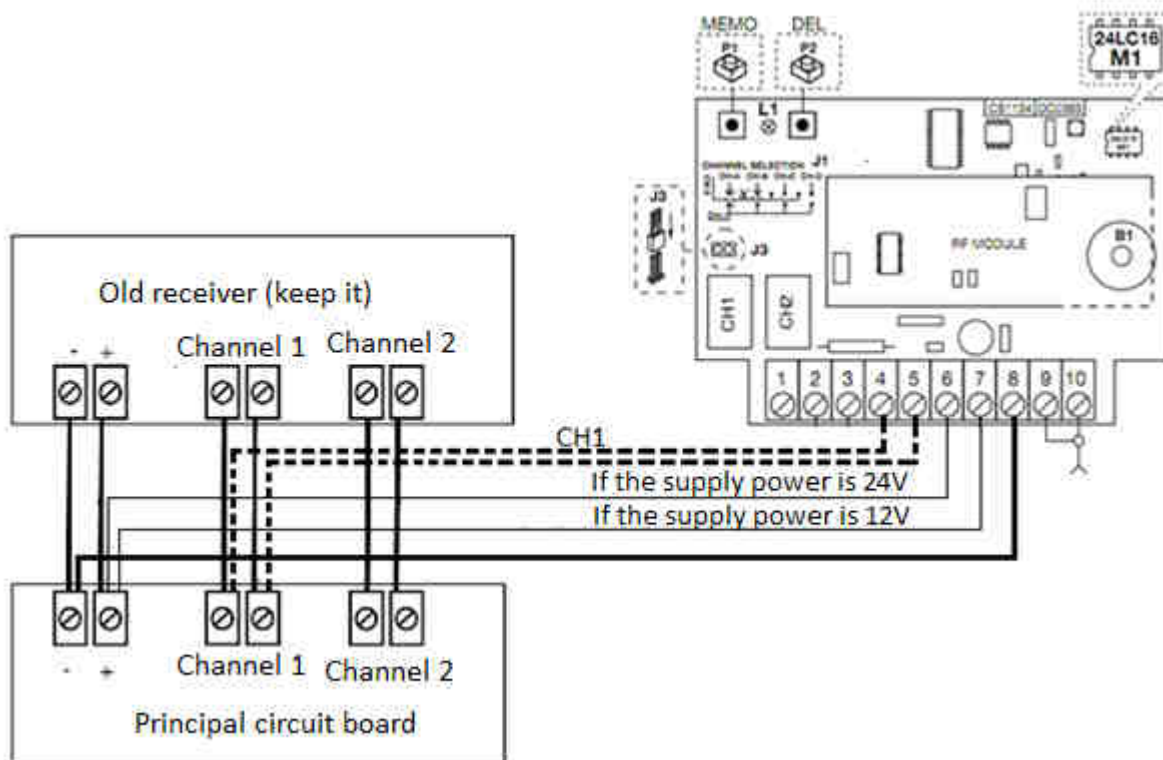


# Programming Manual

## CARDIN S449 RXM 2CH



### Connection of your receiver:

1. Unplug your motor
2. Check that your receiver is supplied with a 12V or 24V power supply. If the voltage delivered by the circuit board of your motor is greater (for example, 220V), you will have to install a transformer.
3. Make the following connections with the electrical wires as indicated on the diagram above:
  - Connect channel 1 between terminals 4 and 5 on the receiver (you have to insert the wire in the hole under the screws and then screw them to lock the wire)
  - Connect channel 2 between terminals 2 and 3 on the receiver.
  - If the power supply is 24V, connect the terminal 24V (or +) to terminal 6 on the receiver. If it is 12V, connect the terminal 12V (or +) to terminal 7 on the receiver
  - Connect the terminal - or GMD of the motor to terminal 8 on the receiver
4. Your receiver is connected.