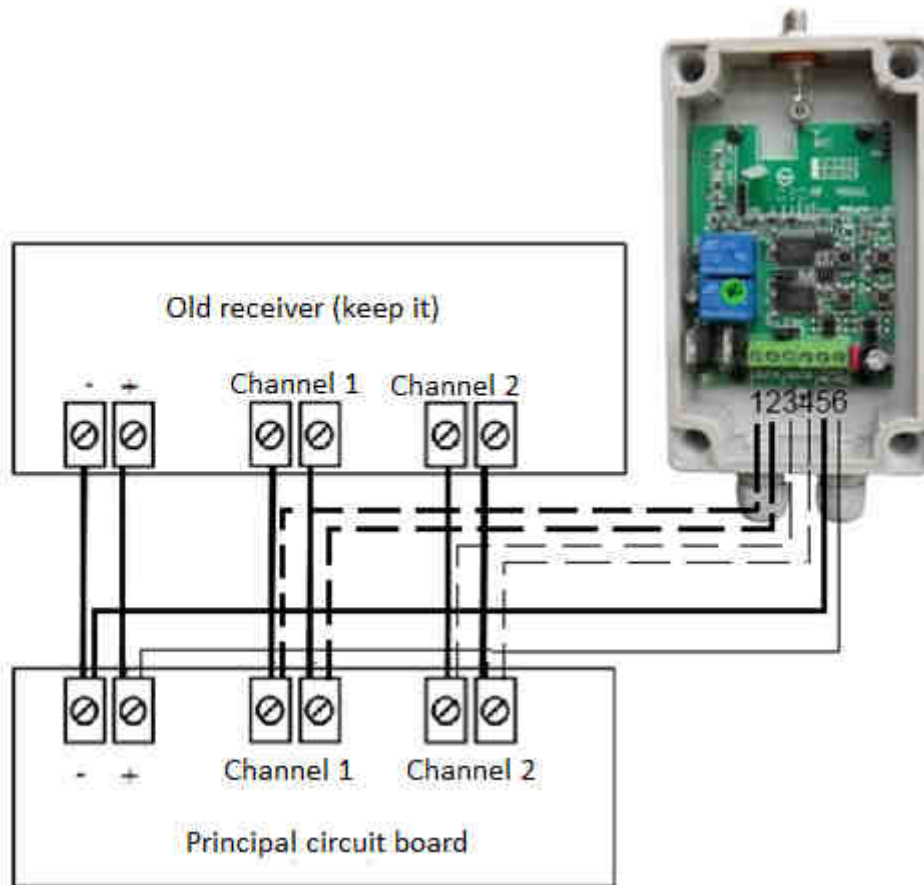


## Programming Manual

### CHAMBERLAIN XR2C



#### Connection of your receiver:

1. Unplug your motor.
2. Check that your receiver is supplied with a 12V or 24V power supply. If the voltage delivered by the circuit board of your motor is greater (for example, 220V), you will have to install a transformer.
3. Make the following connections with the electrical wires as indicated in the diagram above:
  - Connect channel 1 between terminals 1 and 2 on the receiver (you have to insert the wire in the hole under the screws and then screw them to lock the wire)
  - Connect channel 2 between terminals 3 and 4 on the receiver.
  - Connect the terminal + of the motor (or terminal with a tension indicator) to terminal 6 on the receiver
  - Connect the terminal – or GMD of the motor to terminal 5 on the receiver
4. Your receiver is connected.