

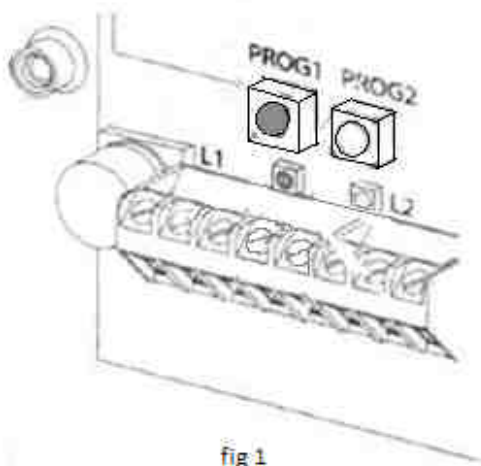
**SOMFY Keytis NS2RTS - Keytis NS4RTS**

fig 1



fig 2

Programming of your new remote control:

## Receiver type 1 (fig.1):

1. Open the casing of your receiver. It is located next to your motor.
2. On the receiver circuit board, press the programming button « Prog 1 » (fig 1) until the LED light L1 on the receiver illuminates.
3. Press a button on your new remote control. Let it go. The LED light on the receiver blinks and then turns off (4).
4. Wait 10 seconds.
5. Your new remote control is programmed.

## Receiver type Axroll (fig.2) :

1. Open the casing of your receiver. It is located next to your motor.
2. On the receiver circuit board, press on the arrows until you get to the position P.8 on the digital screen.
3. After a second, the position 0.0 appears on the screen which corresponds to the open/close function of your door.
4. Simultaneously press the button you wish to program on your new remote control and the + button in your receiver for three seconds. Two dashes appear on the screen. Let the buttons go.
5. Wait 10 seconds.
6. Your new remote control is programmed.