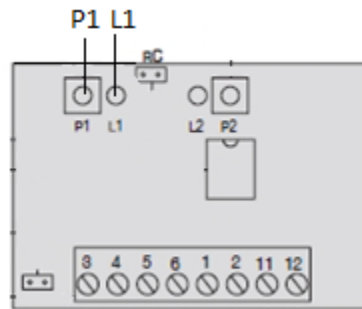


## Programming Manual

### TELCOMA Edge 2 - Edge 4



#### Programming of your new remote control:

1. Open the casing of your receiver. It is located next to your motor.
2. On the receiver circuit board (diagram above), press the programming button P1 until the LED light L1 on the receiver blinks.
3. Press the button you wish to program on your new remote control. Keep it pressed down. The LED light on the receiver remains lit constantly. Wait 5 seconds. The LED light on the receiver blinks. Let the button go.
4. Wait 10 seconds.
5. Your new remote control is programmed.